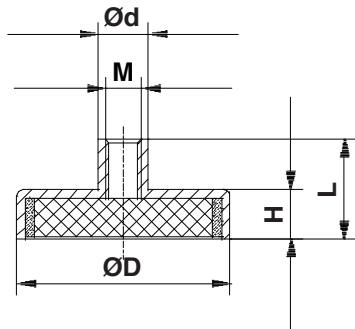
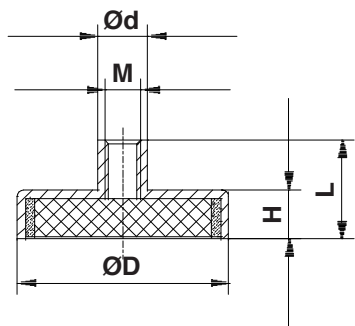


HF



| Art. Nr. | Maße [mm] | | | | | Gewicht [g] | Haftkraft [N] |
|----------|-------------|------|------|----|----|---------------|-----------------|
| | ØD | H | L | M | Ød | | |
| 2160170 | 10 | 4.5 | 11.5 | 3 | 6 | 3 | 4 |
| 2160174 | 13 | 4.5 | 11.5 | 3 | 6 | 5 | 10 |
| 2160178 | 16 | 4.5 | 11.5 | 3 | 6 | 6 | 20 |
| 2160182 | 20 | 6 | 13 | 3 | 6 | 11 | 30 |
| 2160184 | 25 | 7 | 15 | 4 | 8 | 22 | 40 |
| 2160190 | 32 | 7 | 15 | 4 | 8 | 32 | 80 |
| 2160195 | 36 | 8 | 16 | 4 | 8 | 45 | 100 |
| 2160200 | 40 | 8 | 18 | 4 | 10 | 60 | 125 |
| 2160205 | 40 | 8 | 18 | 5 | 10 | 60 | 125 |
| 2160210 | 47 | 9 | 21 | 6 | 10 | 90 | 180 |
| 2160215 | 50 | 10 | 22 | 6 | 10 | 110 | 220 |
| 2160220 | 57 | 10.5 | 18.5 | 4 | 10 | 145 | 280 |
| 2160225 | 63 | 14 | 30 | 8 | 15 | 240 | 350 |
| 2160230 | 80 | 18 | 34 | 10 | 15 | 520 | 600 |
| 2160235 | 100 | 22 | 42 | 12 | 20 | 940 | 900 |

NdFeB



| Art. Nr. | Maße [mm] | | | | | Gewicht [g] | Haftkraft [N] |
|----------|-------------|-----|------|---|----|---------------|-----------------|
| | ØD | H | L | M | Ød | | |
| 2160240 | 6 | 4.5 | 11.5 | 3 | 6 | 1.5 | 5 |
| 2160245 | 8 | 4.5 | 11.5 | 3 | 6 | 2 | 13 |
| 2160250 | 10 | 4.5 | 11.5 | 3 | 6 | 3 | 25 |
| 2160255 | 13 | 4.5 | 11.5 | 3 | 6 | 5 | 60 |
| 2160260 | 16 | 4.5 | 11.5 | 4 | 6 | 7 | 95 |
| 2160265 | 20 | 6 | 13 | 4 | 8 | 16 | 140 |
| 2160270 | 25 | 7 | 14 | 4 | 8 | 25 | 200 |
| 2160275 | 32 | 7 | 15.5 | 5 | 10 | 48 | 350 |