

Artikelnummer

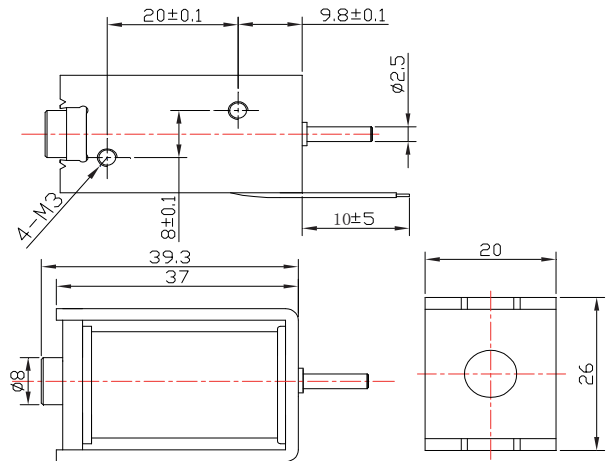
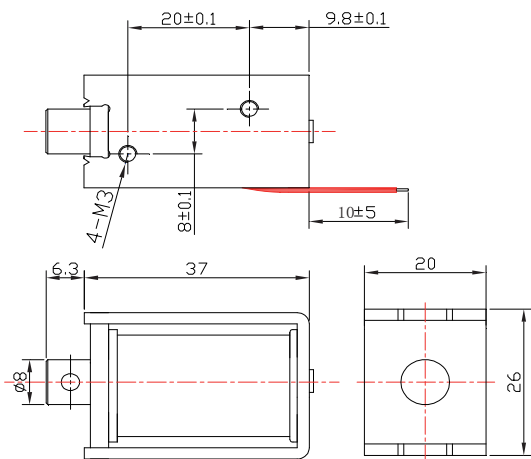
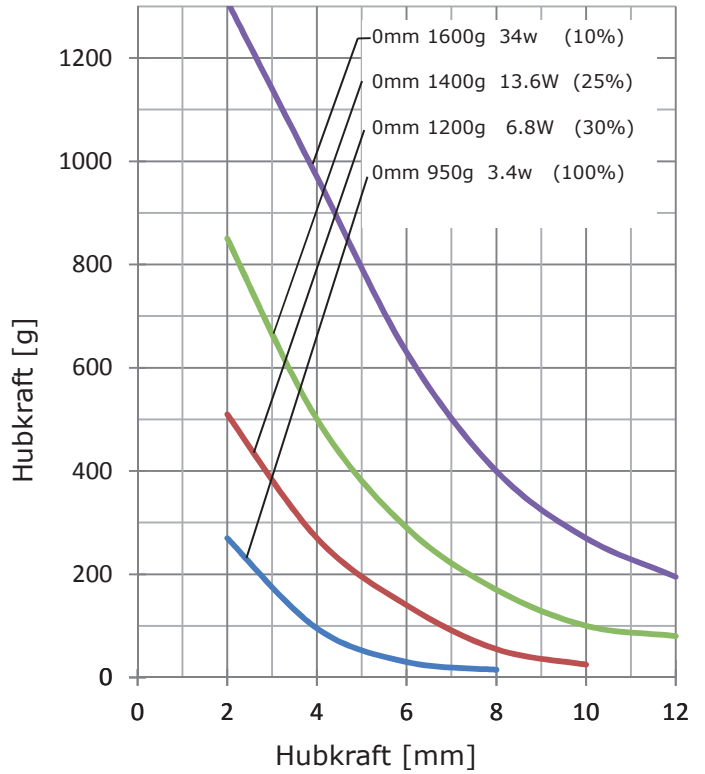
| | | | | | | |
|---|---|---|---|---|---|---|
| 3 | 2 | | 2 | | 4 | 4 |
| 1 | 2 | 3 | 4 | 5 | 6 | 7 |

Spannung:

| | |
|--------|---|
| 6 VDC | 2 |
| 12 VDC | 3 |
| 24 VDC | 4 |
| 48 VDC | 5 |

Ausführung:

| | |
|----------------------------|---|
| ziehend | 2 |
| ziehend federrückgestellt | 3 |
| drückend | 4 |
| drückend federrückgestellt | 5 |



| Daten | ED = $\frac{\text{ON [sec]}}{\text{ON [sec] + OFF [sec]}} \times 100\%$ | 100% | 50% | 25% | 10% |
|--------------------|---|----------------|-------------|------|------|
| | | continous | intermitted | | |
| max. ON time [sec] | | ∞ | 100 | 36 | 7 |
| at 20°C [W] | | 3,4 | 6,8 | 13,6 | 34 |
| at 20°C [mA] | | 566 | 802 | 1132 | 1793 |
| Widerstand [Ω] | | Spannung [VDC] | | | |
| 10,6 | | 6 | 8,5 | 12 | 19 |
| 42,4 | | 12 | 17 | 24 | 38 |
| 169 | | 24 | 34 | 48 | 76 |
| 678 | | 48 | 68 | 96 | 152 |